

DIMENSIONAL/PERFORMANCE DATA

**Figure 6.1 - Outline Dimensions, VE Models
(models VE50 thru 250 shown)**

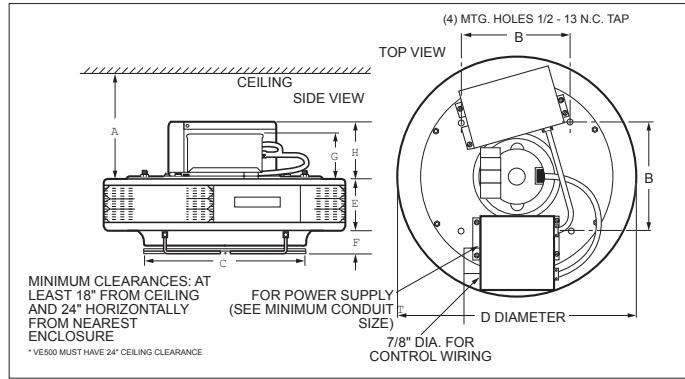


Figure 6.2 - Outline Dimensions, PTE Models

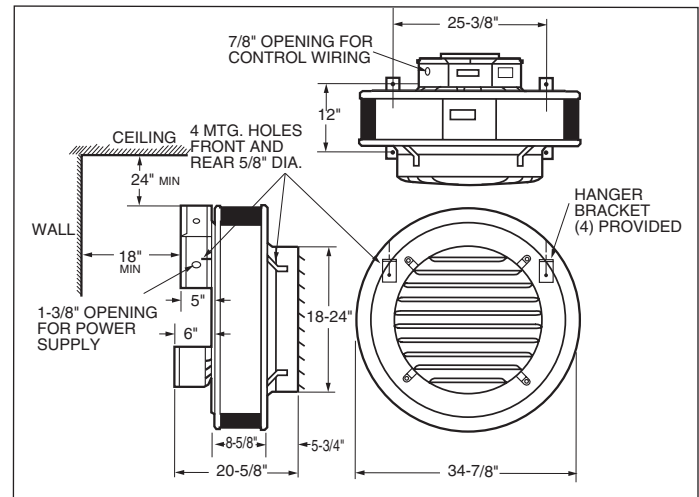


Table 6.1 - Outline Dimensions (inches)

Model	A	B	C	D	E	F	G	H	Fan Dia	Approx. Shipping Wt. - lbs.
VE50	18	11 3/8	14 1/2	24 7/8	4 1/4	3 1/2	4 3/4	6 1/4	14	62
VE75	18	11 3/8	14 1/2	24 7/8	4 1/4	3 1/2	4 3/4	6 1/4	14	64
VE100	18	11 3/8	14 1/2	24 7/8	5	3 1/2	4 3/4	6 1/4	14	66
VE150	18	11 3/8	14 1/2	24 7/8	5	3 1/2	4 3/4	6 1/4	14	70
VE200	18	11 3/8	14 1/2	24 7/8	5	3 1/2	4 3/4	6 1/4	14	72
VE250	18	11 3/8	14 1/2	24 7/8	5	3 1/2	4 3/4	6 1/4	14	73
VE300	18	18 3/8	19 1/2	34 7/8	8 5/8	2 1/4	4 3/4	6 1/4	19	122
VE400	18	18 3/8	19 1/2	34 7/8	8 5/8	2 1/4	4 3/4	6 1/4	19	125
VE500	18	18 3/8	19 1/2	34 7/8	8 5/8	2 1/4	4 3/4	6 1/4	19	129

Table 6.2 - Performance Data (Models VE, PTE)

Model	Heating Capacity		Air Delivery Data (No Deflector) ^①				
	KW	BTU/HR	Outlet CFM	Outlet Vel. (FPM)	Temp. Rise °F	Heat Spread (Ft)	Max. Mtg. Ht. (Ft)
VE50	5.0	17,100	800	700	21	20	13
VE75	7.5	25,600	800	700	31	17	11
VE100	10	34,100	940	820	36	18	12
VE150	15	51,200	1340	1170	38	26	17
VE200	19	64,900	1600	1400	41	30	20
VE250	25	85,400	1600	1400	55	26	17
PTE/VE300 2-stage	30	102,000	2575	1240	40	31 ^②	20 ^②
PTE/VE400 2-stage	40	137,000	2575	1240	54	27 ^②	18 ^②
PTE/VE500 2-stage	50	171,000	2575	1240	70	24 ^②	16 ^②

① With 70°F ambient air and heating at full capacity
② See Figure 4.2 for PTE mounting height and heat throw

Table 6.3 - Motor Specifications

Model	HP	Voltage	Phase	Hertz	RPM	Type W/TOL	Bearing Type
VE50-100	1/15	208-230	1	60	1050	Totally Enclosed Shaded Pole	Sleeve
VE150-250	1/8	208-230	1	60	1725	Totally Enclosed PSC	Ball
VE/PTE300-500	1/6	208-230	1	60	1075	Totally Enclosed PSC	Ball